



SunPower® E-Series Residential Solar Panels | E20-327

More than 20% Efficiency

Ideal for roofs where space is at a premium or where future expansion might be needed.

High Performance

Delivers excellent performance in real world conditions, such as high temperatures, clouds and low light.^{1,2,4}

Proven Value

Designed for residential rooftops, E-Series panels deliver the features, value and performance for any home.



Maxeon® Solar Cells: Fundamentally better.
Engineered for performance, designed for durability.

Engineered for Peace of Mind

Designed to deliver consistent, trouble-free energy over a very long lifetime.^{3,4}

Designed for Durability

The SunPower Maxeon Solar Cell is the only cell built on a solid copper foundation. Virtually impervious to the corrosion and cracking that degrade Conventional Panels.³

#1 Rank in Fraunhofer durability test.⁹
100% power maintained in Atlas 25+ comprehensive Durability test.¹⁰

High Performance & Excellent Durability



SPR-E20-327



High Efficiency⁵

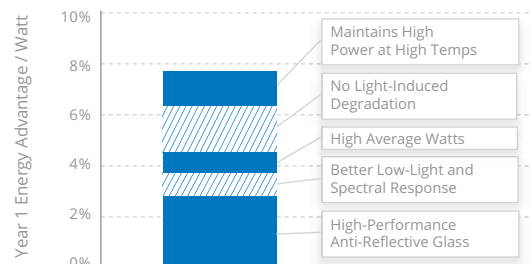
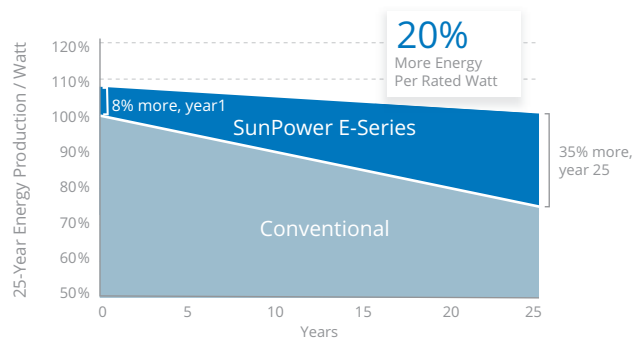
Generate more energy per square foot

E-Series residential panels convert more sunlight to electricity producing 31% more power per panel,¹ and 60% more energy per square foot over 25 years.^{1,2,3}

High Energy Production⁶

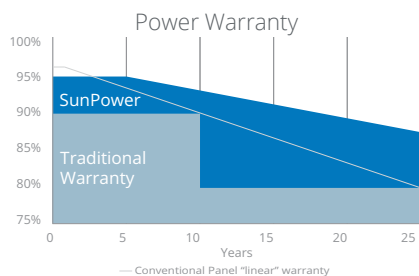
Produce more energy per rated watt

High year one performance delivers 7-9% more energy per rated watt.² This advantage increases over time, producing 20% more energy over the first 25 years to meet your needs.³

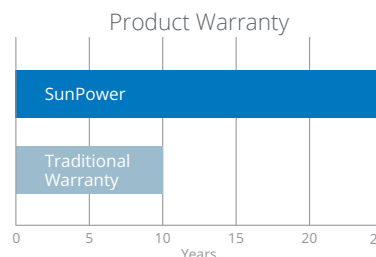


SunPower® E-Series Residential Solar Panels | E20-327

Sunpower Offers The Best Combined Power And Product Warranty



More guaranteed power: 95% for first 5 years, -0.4%/yr. to year 25.⁷



Combined Power and Product defect 25 year coverage that includes panel replacement costs.⁸

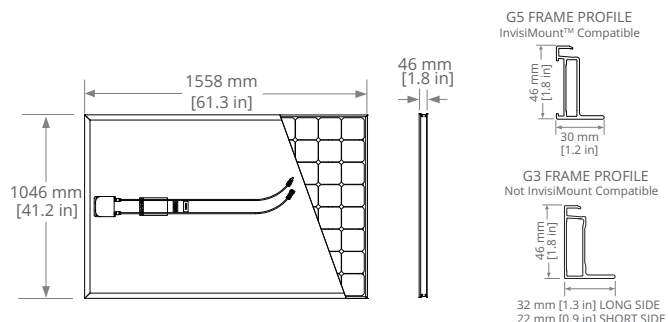
	Electrical Data	
	SPR-E20-327	SPR-E19-320
Nominal Power (P _{nom}) ¹¹	327 W	320 W
Power Tolerance	+5/-0%	+5/-0%
Avg. Panel Efficiency ¹²	20.4%	19.9%
Rated Voltage (V _{mpp})	54.7 V	54.7 V
Rated Current (I _{mpp})	5.98 A	5.86 A
Open-Circuit Voltage (V _{oc})	64.9 V	64.8 V
Short-Circuit Current (I _{sc})	6.46 A	6.24 A
Max. System Voltage	600 V UL & 1000 V IEC	
Maximum Series Fuse	15 A	
Power Temp Coef.	-0.38% / °C	
Voltage Temp Coef.	-176.6 mV / °C	
Current Temp Coef.	3.5 mA / °C	

Tests And Certifications	
Standard tests ¹³	UL1703 (Type 2 Fire Rating), IEC 61215, IEC 61730
Quality Certs	ISO 9001:2008, ISO 14001:2004
EHS Compliance	RoHS, OHSAS 18001:2007, lead free, REACH SVHC-155, PV Cycle
Sustainability	Cradle to Cradle (eligible for LEED points) ¹⁴
Ammonia test	IEC 62716
Desert test	10.1109/PVSC.2013.6744437
Salt Spray test	IEC 61701 (maximum severity)
PID test	Potential-Induced Degradation free: 1000V ⁹
Available listings	UL, CEC, CSA, TUV, JET, MCS, FSEC

Operating Condition And Mechanical Data	
Temperature	-40°F to +185°F (-40°C to +85°C)
Impact resistance	1 inch (25mm) diameter hail at 52 mph (23 m/s)
Appearance	Class A
Solar Cells	96 Monocrystalline Moxeon Gen II
Tempered Glass	High transmission tempered Anti-Reflective
Junction Box	IP-65, MC4 Compatible
Weight	41 lbs (18.6 kg)
Max load	G5 Frame: Wind: 62 psf, 3000 Pa, 305 kg/m ² front & back Snow: 125 psf, 6000 Pa, 611 kg/m ² front
	G3 Frame: Wind: 50 psf, 2400 Pa, 244 kg/m ² front & back Snow: 112 psf, 5400 Pa, 550 kg/m ² front
Frame	Class 1 black anodized (highest AAMA rating)

REFERENCES:

- All comparisons are SPR-E20-327 vs. a representative conventional panel: 250W, approx. 1.6 m², 15.3% efficiency.
- Typically 7-9% more energy per watt, BEW/DNV Engineering "SunPower Yield Report," Jan 2013.
- SunPower 0.25%/yr degradation vs. 1.0%/yr conv. panel. Campeau, Z. et al. "SunPower Module Degradation Rate," SunPower white paper, Feb 2013; Jordan, Dirk "SunPower Test Report," NREL, Q1-2015.
- "SunPower Module 40-Year Useful Life" SunPower white paper, May 2015. Useful life is 99 out of 100 panels operating at more than 70% of rated power.
- Second highest, after SunPower X-Series, of over 3,200 silicon solar panels, Photon Module Survey, Feb 2014.
- 8% more energy than the average of the top 10 panel companies tested in 2012 (151 panels, 102 companies), Photon International, Feb 2013.
- Compared with the top 15 manufacturers. SunPower Warranty Review, May 2015.
- Some restrictions and exclusions may apply. See warranty for details.
- 5 of top 8 panel manufacturers tested in 2013 report, 3 additional panels in 2014. Ferrara, C., et al. "Fraunhofer PV Durability Initiative for Solar Modules: Part 2". Photovoltaics International, 2014.
- Compared with the non-stress-tested control panel. Atlas 25+ Durability test report, Feb 2013.
- Standard Test Conditions (1000 W/m² irradiance, AM 1.5, 25° C). NREL calibration Standard: SOMS current, LACCS FF and Voltage.
- Based on average of measured power values during production.
- Type 2 fire rating per UL1703:2013, Class C fire rating per UL1703:2002.
- See sales person for details.



G5 frames have no mounting holes. Please read the safety and installation guide.

See <http://www.sunpower.com/facts> for more reference information. For more details, see extended datasheet: www.sunpower.com/datasheets.

Document # 504860 Rev E /LTR_US